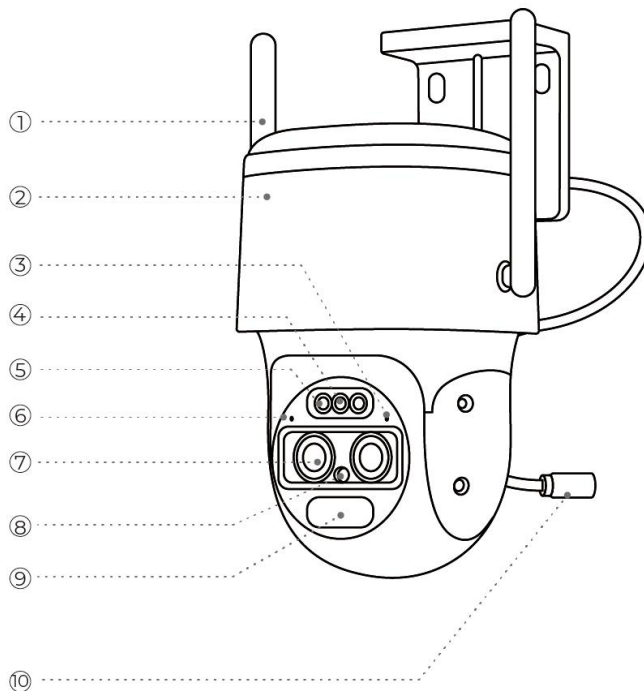


TrackMix Series B770

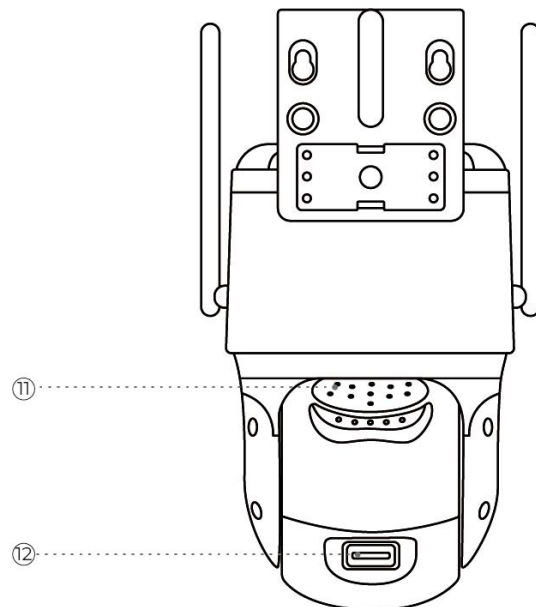
With 4K 8MP high resolution, TrackMix Series B770 can capture sharper and finer details, bringing you a better visual experience. The wide-angle lens and the telephoto lens of the camera bring you a broad overview and a clear closeup simultaneously. With rechargeable battery and solar panel, this camera realizes flexible power supply.

1. Specs



1	Antenna
2	Mount

3	Status LED
4	Spotlight
5	Infrared LED
6	Mic
7	Lens
8	Daylight Sensor
9	PIR Sensor
10	Power port



11	Speaker
12	microSD Card Slot

2. Setup and Install

Set up the Camera

What's in the Box

Note: The package content may vary and update with different version and platforms, please take the below information only for a reference. And the actual package content are subject to the latest information on the product selling page.

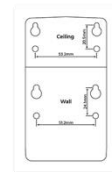
TrackMix Series B770



TrackMix Series B770



Surveillance Sticker



Mounting Hole Template



Pack of Screws



USB-C Cable



Quick Start Guide


Set up the camera on the App

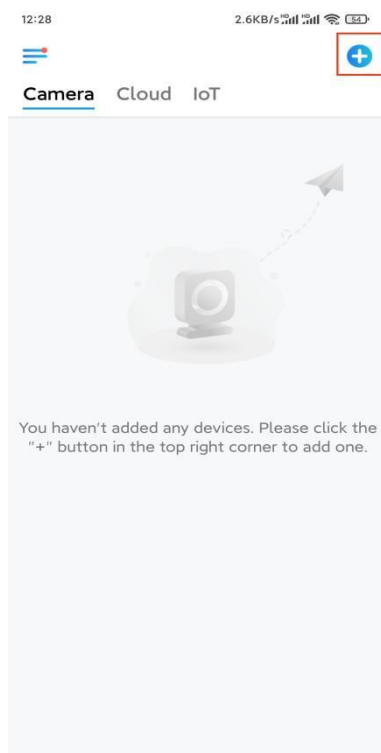
Please follow the steps below to do initial setup for the battery-powered cameras via Reolink App.

Step 1. Power on the camera. Remember to turn on the power switch on the

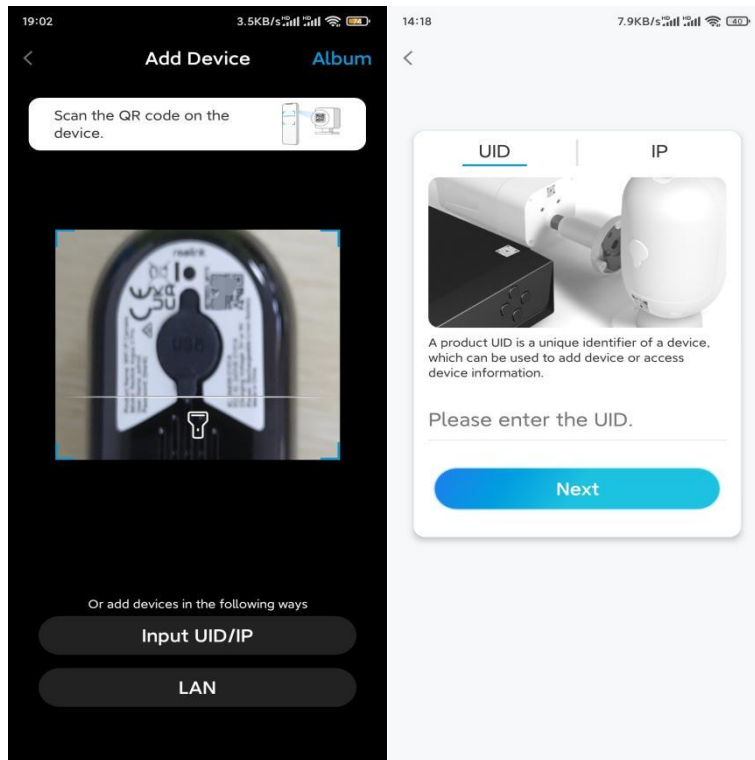
camera before initial setup. After a startup sound, you will hear a **repeated Ding sound** or a **voice prompt**.

Note: The voice prompt you will hear may be "Welcome to Reolink, please install Reolink App and scan the QR code on the camera" in multilingual versions, or "please run Reolink App, add the camera and set it up".

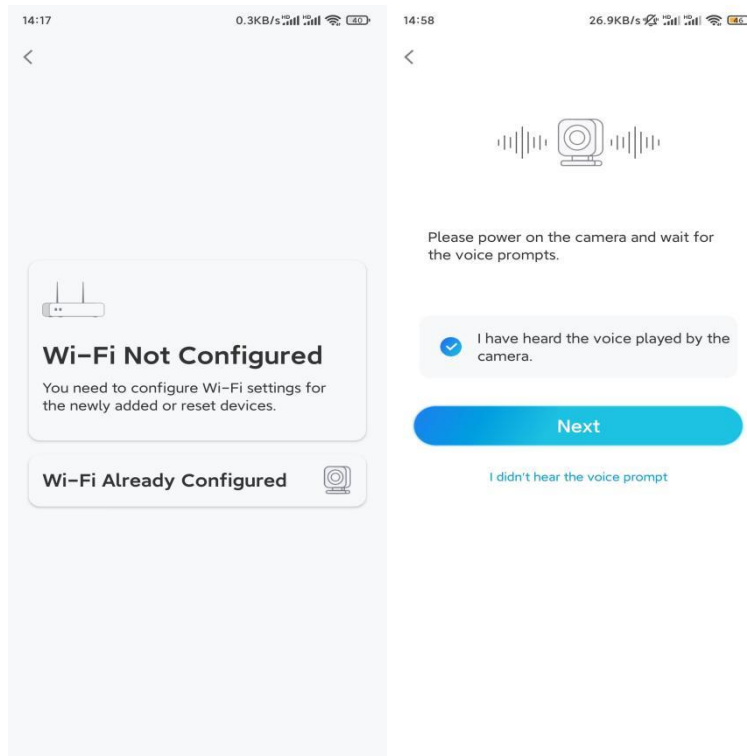
Step 2. Tap the icon  in the top right corner to start the initial setup.



Step 3. Scan the QR code on the back of the camera. You may tap **Light** to enable a flashlight when setting up the camera in a dark environment. If the phone doesn't respond, please tap **Input UID/IP** and then manually type in the UID (16-digit characters under the QR code of the camera). Then click **Next**.

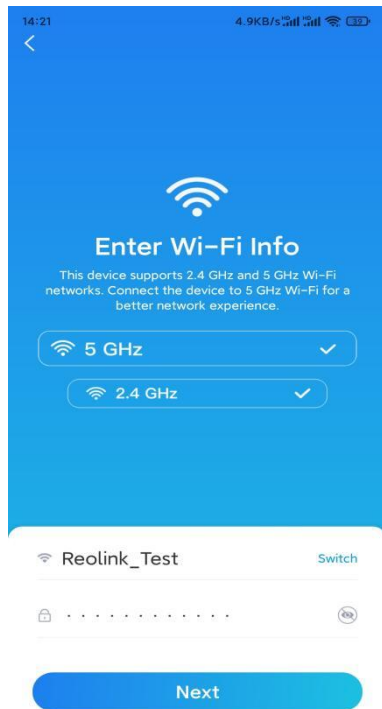


Step 4. Select Wi-Fi Not Configured. If you hear a voice prompt played by the camera, please tick correspondingly and then tap Next.



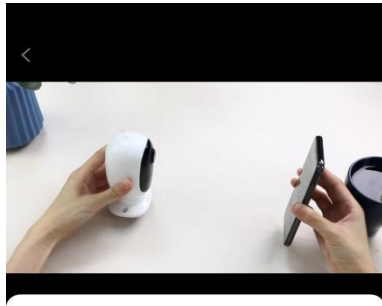
Step 5. Enter the WiFi password of the selected WiFi network (you may tap the right

eye icon to see and double-check the password) and tap **Next**.

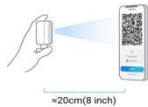


Note: TrackMix Series B770 supports 5/2.4 GHz dual-band WiFi.

Step 6. Tap **Scan Now**. Place the QR code on your phone in front of the camera's lens at a distance of about 20 cm (8 inches) and let the camera scan the QR code. Tick correspondingly and tap **Next**.



14:22 10.2KB/s



To connect your camera to Wi-Fi network, face it to your phone and let the camera scan the QR code on the screen.

Scan Now



Please face the camera towards QR code and keep scan distance around 20 cm (8 inches).

I have heard a beep sound from the camera.

Demo

Next

Scan failed?

Step 7. Wait around 60 seconds for the camera to connect to the router. After hearing "connection to the router succeeded", tick correspondingly and tap Next.

14:22

6.2KB/s

<



Camera is connecting to the router...



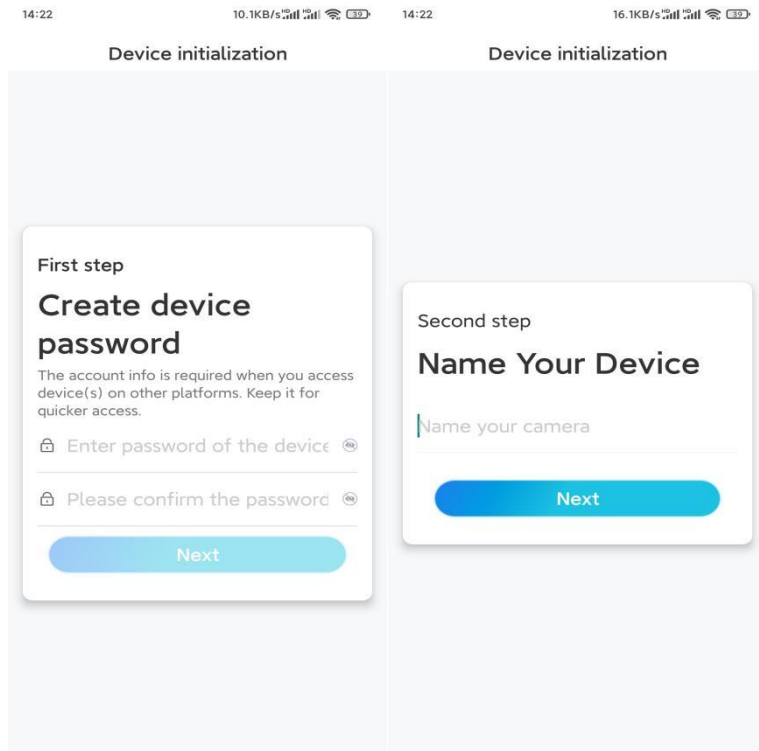
Connection to the router succeeded

I have heard the voice prompt

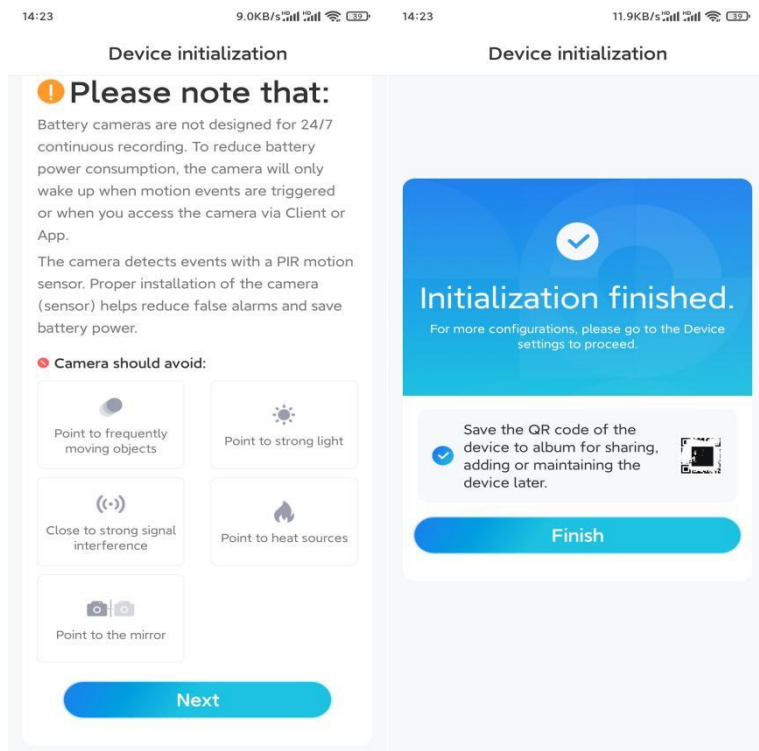
Next

Connection to the router failed

Step 8. Create a login password and then name your camera.



*Step 9. Read the note below and then tap **Finish** to complete the initialization of your camera.*



Once the initial setup is completed, you may choose a good position to mount your

camera.

Install the Camera

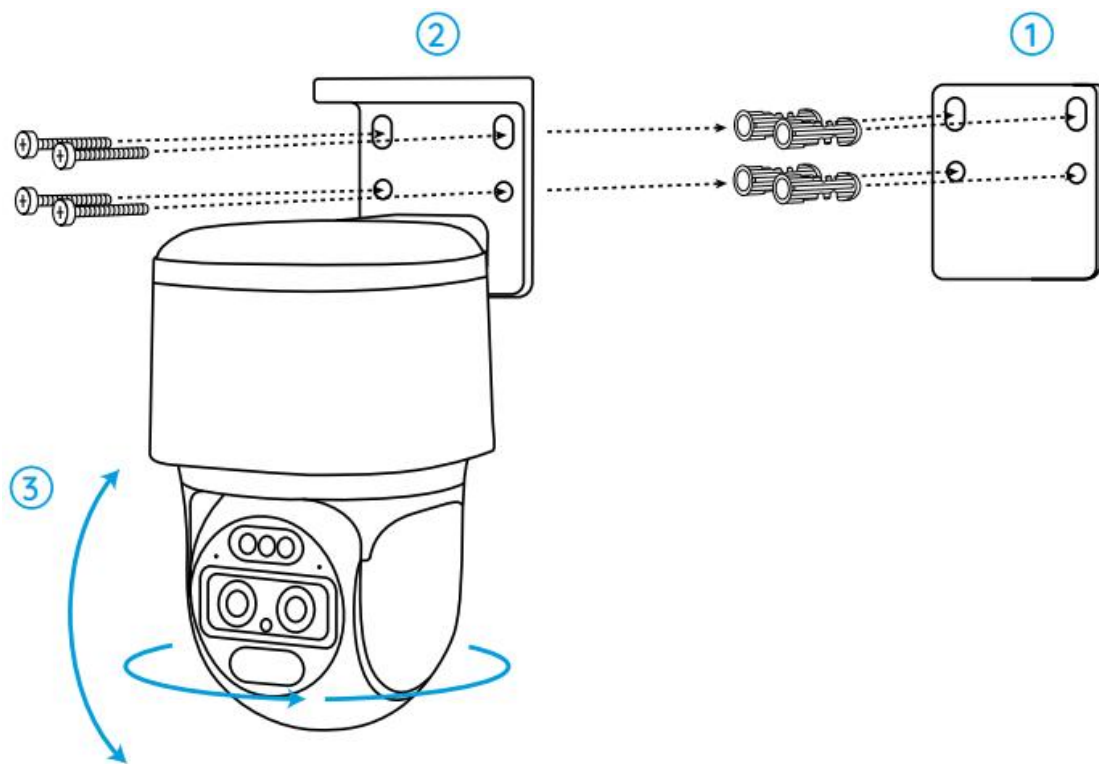
Following the excitement of setting up your TrackMix Series B770, you will face up the installation of the camera. So we are here to help you with guides on how to mount the camera on the wall or the ceiling. It's up to you.

Mount the Camera to the Wall

Step 1. Stick the mounting hole template on the wall and drill holes correspondingly.

Step 2. Screw the mount base to the wall using the screws included in the package.

Step 3. You may control the camera to pan and tilt via Reolink App or Client to adjust the camera's direction.



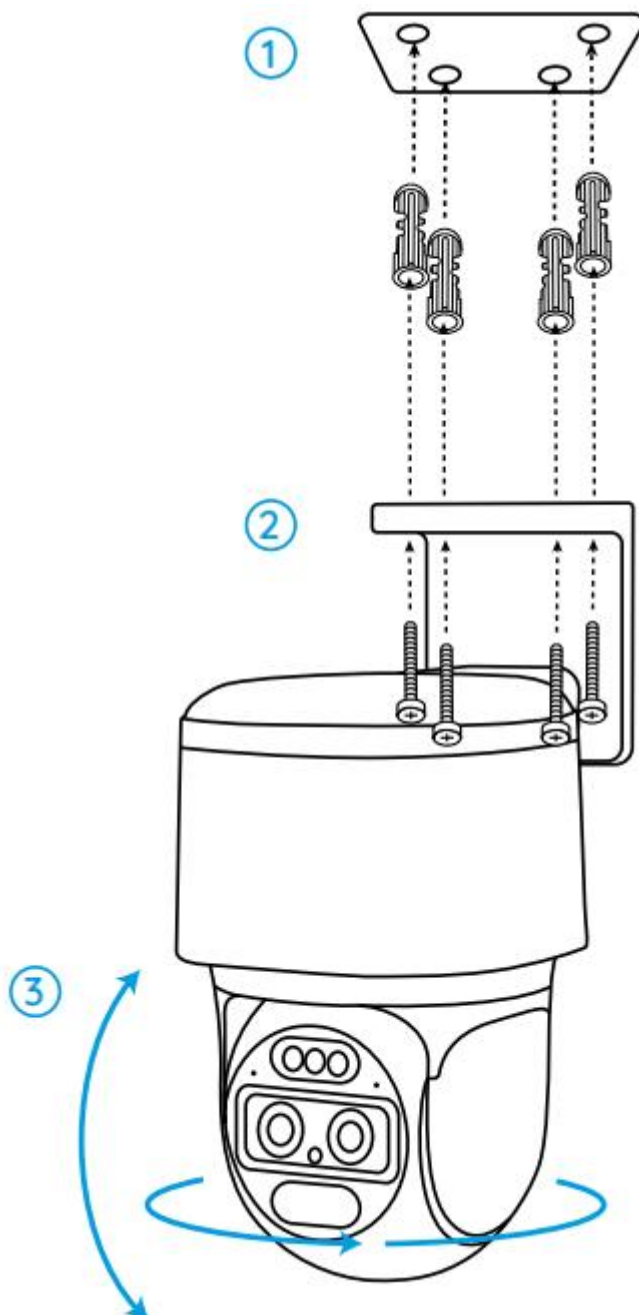
Note: If you install the camera on a pretty hard surface such as drywall, use the drywall anchors included in the package.

Mount the Camera on the Ceiling

Step 1. Stick the mounting hole template on the ceiling and drill holes correspondingly.

Step 2. Install the mount base to the wall using the screws included in the package.

Step 3. Adjust the camera's direction by controlling the camera to pan and tilt via the Reolink App or Client.



Note: Use the drywall anchors included in the package if needed.